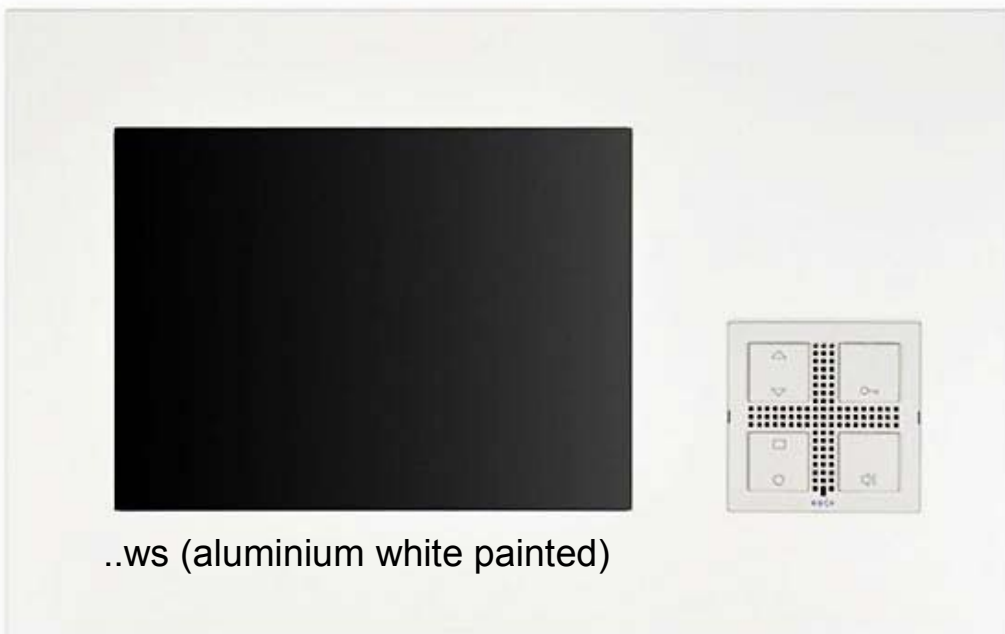
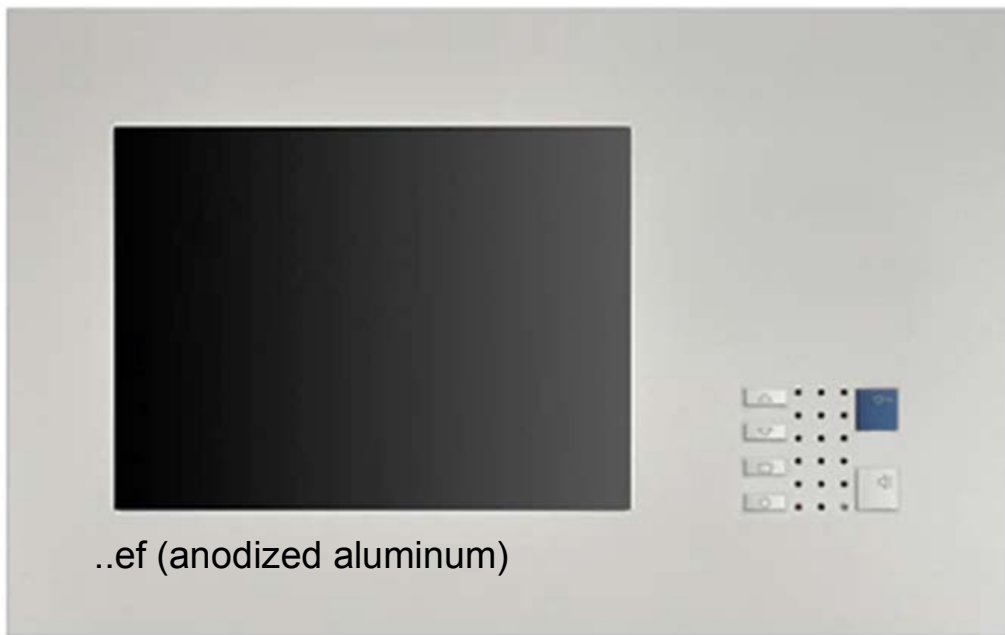


Indoor Video Intercom Station ALDUP/40 ..

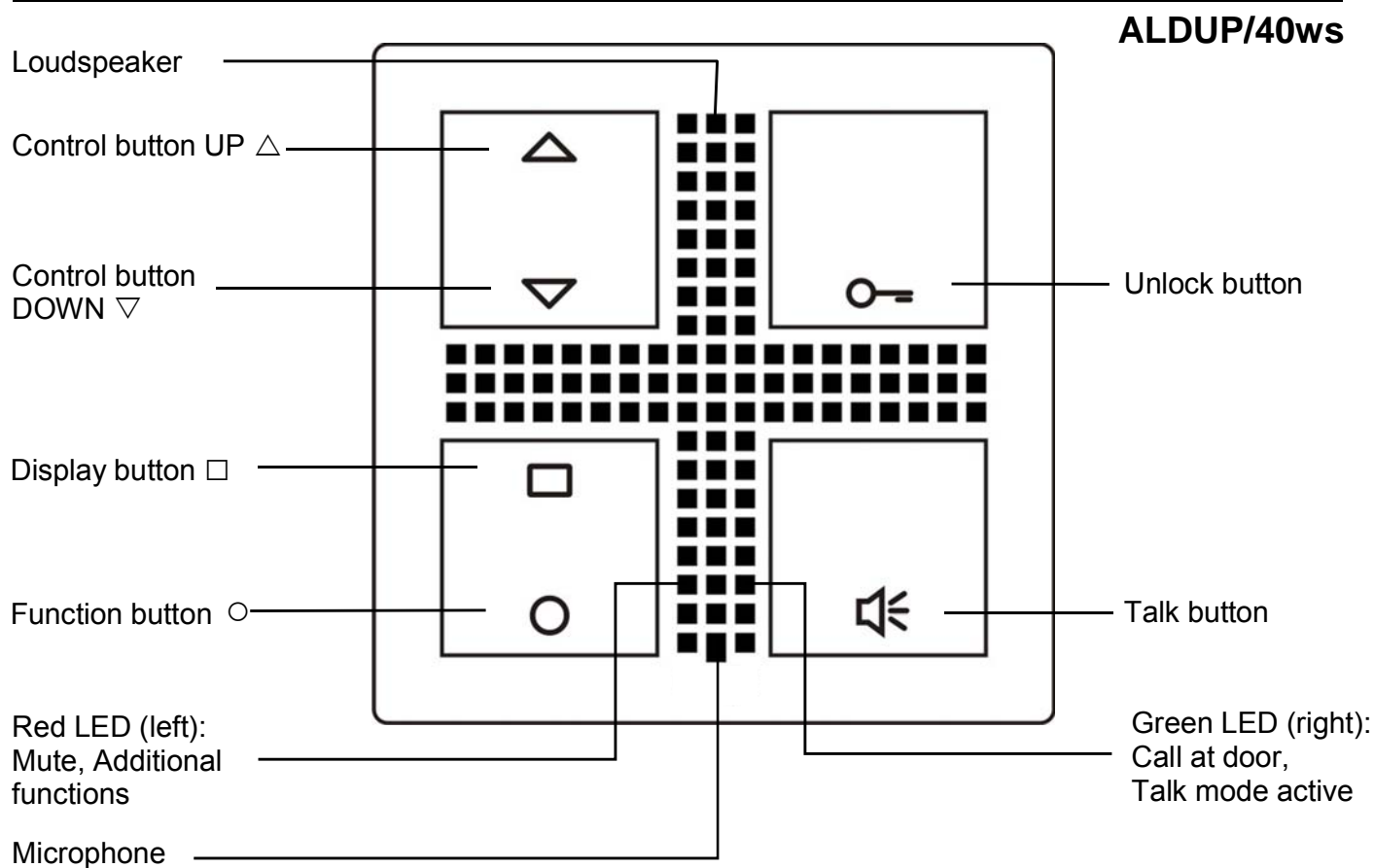
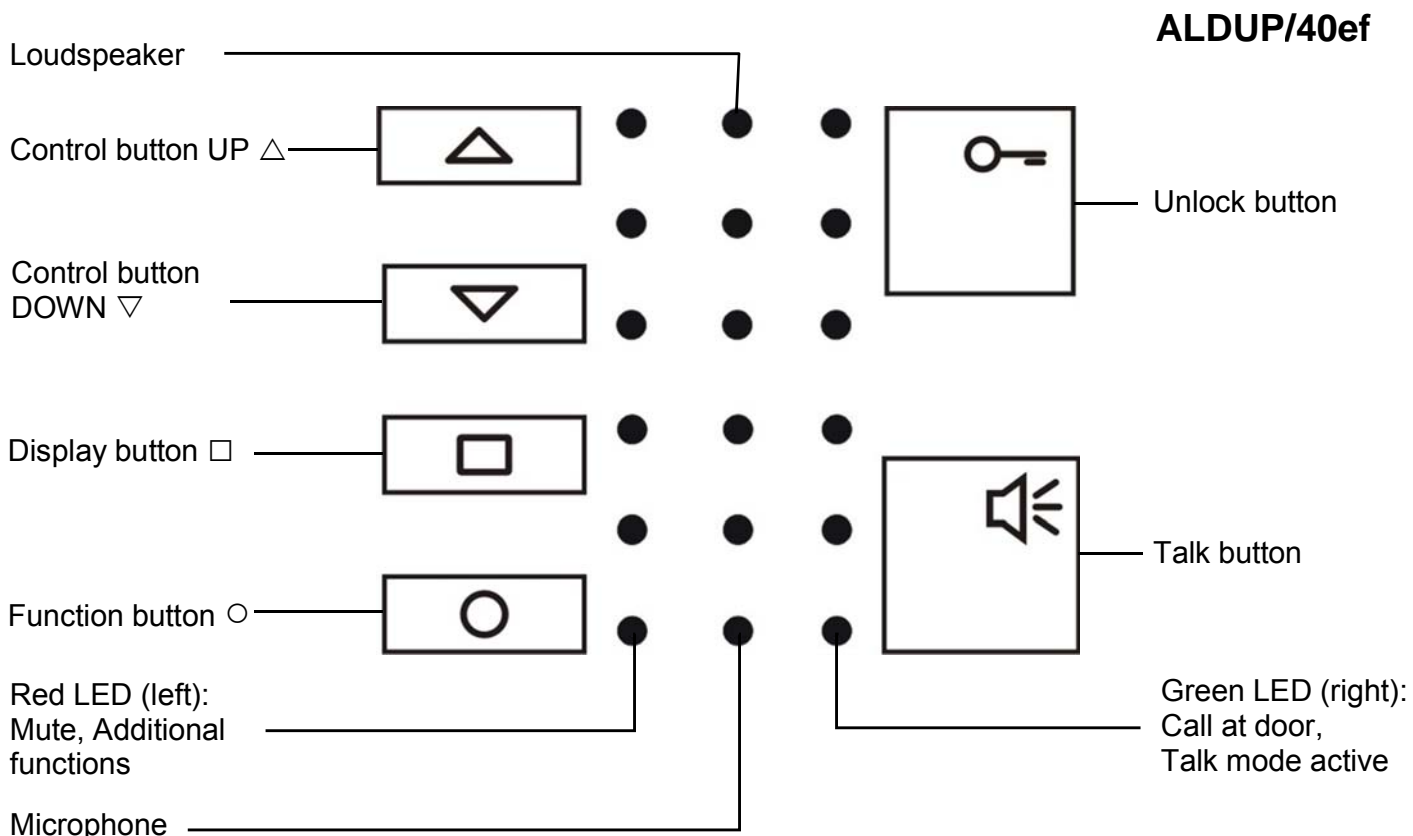


Ring tones

Differentiation of calls when ringing from the Entrance, the Landing door and an Internal call. The green LED lights up for 60 sec. when there is a call from the entrance of the house or an internal call.

User manual

Overview of the device



User manual

Instructions for use

Answer a call

- Hands-free
Press the Talk button briefly; you can now talk without any further action
- Push-to-talk
Press the Talk button for more than 1 sec.
Press the button: Talk to the external station
Release the button: Listening from the external intercom station

End a call

- Manually
Press the Talk button briefly
- After the door is unlocked
Automatic shut-off 4 sec. after pressing the Unlock button
- Automatically
Automatic shut-off after 60 sec.

To unlock the door

- Briefly press the Unlock button

Display image

- Manually
Press the Display button briefly
- Automatically
Switches on automatically with call at door

Switch off monitor display

- Automatically
Shuts down automatically 80 sec. or 4 sec. after pressing the Unlock button

Call volume

- During a call use the Control DOWN or UP button to select the volume required

Selecting ring tone volume

- When in idle mode use the Control DOWN or UP button to set the volume of the ring tone; a beep will sound to confirm the setting

Turn off the external station Activate the external station

- Press the Control button DOWN ; until the red LED lights up
- Press the Control button DOWN ; the red LED goes out

Function button

- Special function (Control function 8) - Default setting
 - Internal call
 - Call forwarding
 - Doormatic

User manual

Settings

Switch on Programming mode

- Press the Function button \bigcirc for approx. 8 until you hear a brief beep
 - The red and green LEDs will flash on the monitor
 - Programming mode switched on
-

Setting the ring tones

- Switch on the programming mode (see above)
- Press Talk button
- The red and green LEDs will flash on the monitor

Ring tone for Entrance 1 (AS 0)

- Press the Unlock door repeatedly until you hear the ring tone you require

Ring tone for a Landing call

- Press the Function button \bigcirc repeatedly until you hear the ring tone you require

Ring tone for Internal call

- Press the Display button \square repeatedly until you hear the ring tone you require

Ring tone for Entrance 2 (AS 1-63)

- Press the Talk button repeatedly until you hear the ring tone you require

Note

- The ring tones can be set in succession once the programming mode has been activated
-

Switch off Programming mode

- If a button has not been pressed for 8 sec, the programming mode will switch off automatically
- A beep sounds; the red and green LEDs go out
- Programming mode switched off