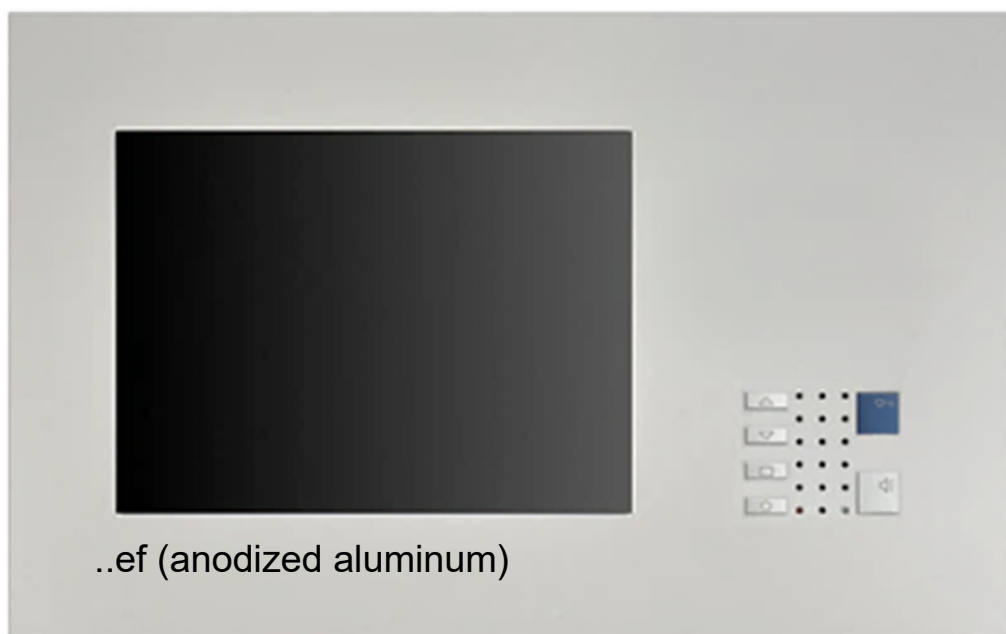


Indoor Video Intercom Station ALDUP/42 ..

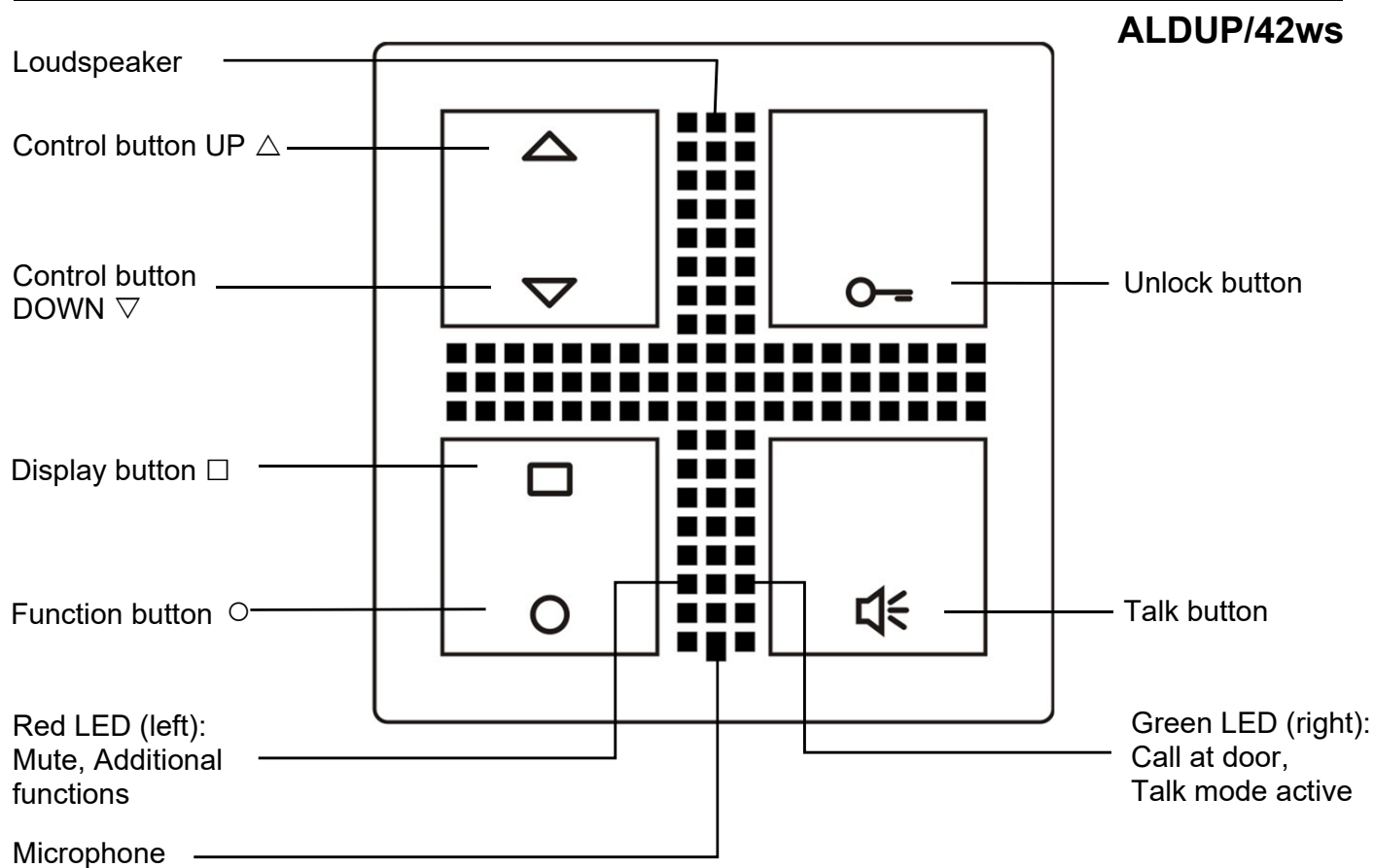
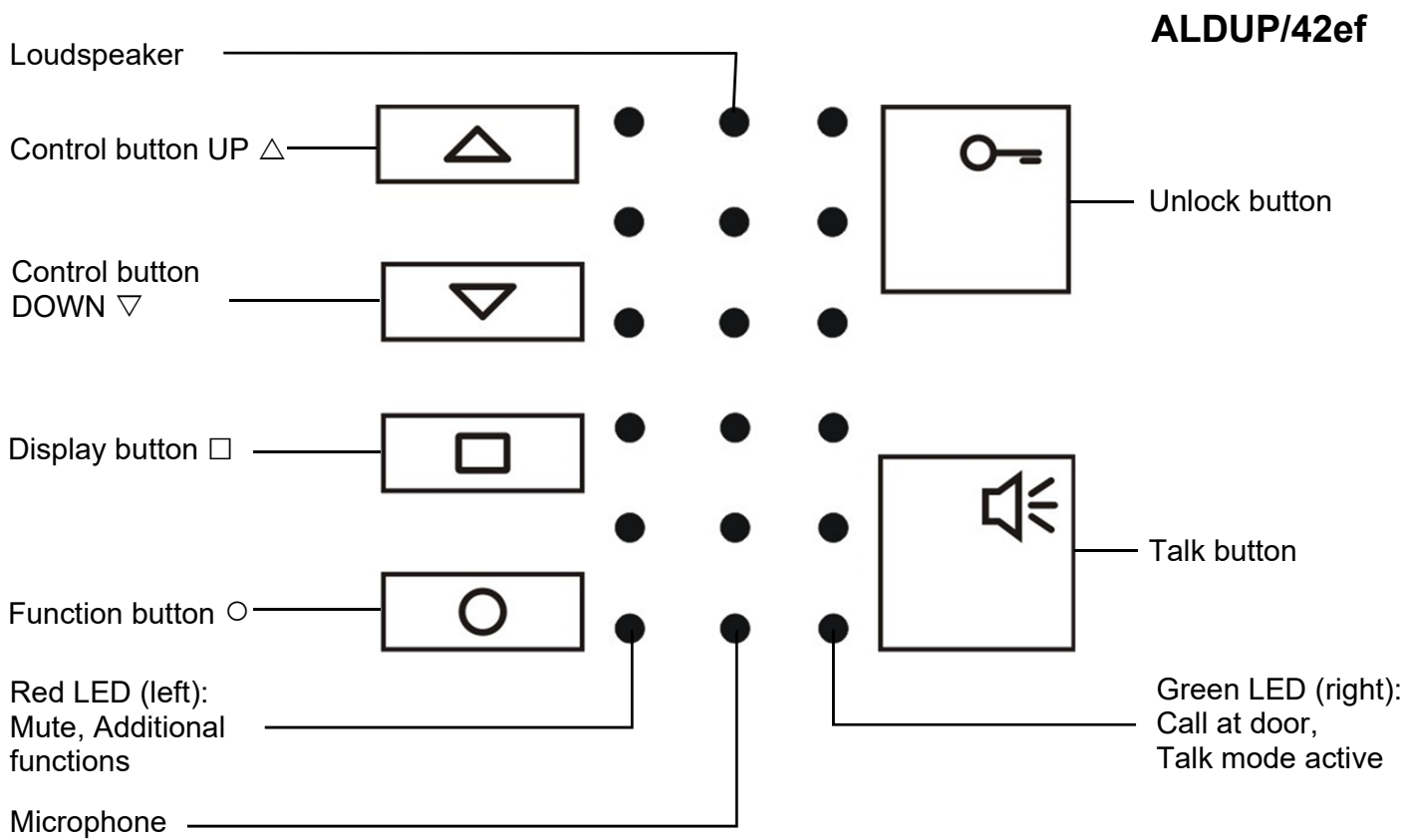


Ring tones

Differentiation of calls when ringing from the Entrance, the Landing door and an Internal call. The green LED lights up for 60 sec. when there is a call from the entrance of the house or an internal call.

User manual

Overview of the device



User manual

Instructions for use

- | | |
|--|---|
| Answer a call | <ul style="list-style-type: none">• Hands-free Press the Talk button briefly; you can now talk without any further action• Push-to-talk Press the Talk button for more than 1 sec. Press the button: Talk to the external station Release the button: Listening from the external intercom station |
| End a call | <ul style="list-style-type: none">• Manually Press the Talk button briefly• After the door is unlocked Automatic shut-off 4 sec. after pressing the Unlock button• Automatically Automatic shut-off after 60 sec. |
| To unlock the door | <ul style="list-style-type: none">• Briefly press the Unlock button |
| Display image | <ul style="list-style-type: none">• Manually Press the Display button <input type="checkbox"/> briefly• Automatically Switches on automatically with call at door |
| Switch off monitor display | <ul style="list-style-type: none">• Automatically Shuts down automatically 80 sec. or 4 sec. after pressing the Unlock button |
| Call volume | <ul style="list-style-type: none">• During a call use the Control DOWN or UP button to select the volume required |
| Selecting ring tone volume | <ul style="list-style-type: none">• When in idle mode use the Control DOWN or UP button to set the volume of the ring tone; a beep will sound to confirm the setting |
| Turn off the external station Activate the external station | <ul style="list-style-type: none">• Press the Control button DOWN ; until the red LED lights up• Press the Control button DOWN ; the red LED goes out |
| Function button <input type="radio"/> | <ul style="list-style-type: none">• <input checked="" type="checkbox"/> Special function (Control function 8) - Default setting<ul style="list-style-type: none"><input type="checkbox"/> Internal call<input type="checkbox"/> Call forwarding<input type="checkbox"/> Doormatic |

User manual

Settings

Switch on Programming mode

- Press the Function button ○ for approx. 8 until you hear a brief beep
 - The red and green LEDs will flash on the monitor
 - Programming mode switched on
-

Setting the ring tones

- Switch on the programming mode (see above)
- Press Talk button
- The red and green LEDs will flash on the monitor

Ring tone for Entrance 1 (AS 0)

- Press the Unlock door repeatedly until you hear the ring tone you require

Ring tone for a Landing call

- Press the Function button ○ repeatedly until you hear the ring tone you require

Ring tone for Internal call

- Press the Display button □ repeatedly until you hear the ring tone you require

Ring tone for Entrance 2 (AS 1-63)

- Press the Talk button repeatedly until you hear the ring tone you require

Note

- The ring tones can be set in succession once the programming mode has been activated
-

Switch off Programming mode

- If a button has not been pressed for 8 sec, the programming mode will switch off automatically
- A beep sounds; the red and green LEDs go out
- Programming mode switched off