

INB-52M2812M0A

SKU: 235341



Network Camera Bullet, 1920x1080, Day/Night, WDR, AI 2,8-12mm, IR, 12V, PoE, IP67

Main Features

- 1/2.8" Sony STARVIS CMOS sensor, 2 MP/60fps
- AI analysis functions including object classification
- WDR 120dB, 3D-DNR Noise Reduction
- Motorized varifocal lens 2.8-12mm
- Smart Codec H.265/H.264, multi-streaming
- Browser independent (IE, Edge, Safari, Firefox, Chrome)

- Supports ONVIF Profile S and Profile T
- Multilingual menu navigation (OSD)
- Local storage via Micro SD card
- Supports audio and external alarm input and output
- Power supply 12VDC or PoE IEEE 802.3af
- IR LED illumination, IP67

Specifications

Series	eneo IN-Series
Camera:	
Camera type	Bullet
Sensor size	1/2.8"
Resolution Standard	HD 1080p
Imager	CMOS, Sony STARVIS, Sensor IMX307
System	True Day&Night
Sensitivity	0,002 Lux, at F1.6
Low Speed Shutter	yes
Manual electronic shutter (MES)	1/5 ~ 1/20.000sec.
Automatic electronic shutter (ESC)	1/5 ~ 1/20.000sec.

INB-52M2812M0A

Continuation of the specifications

Wide Dynamic Range (WDR)	DOL-WDR 120dB,D-WDR
Flickerless function	yes
Backlight Compensation	BLC,HLC
Day&Night switch	ICR
Day&Night mode	auto,day,night,Image,time
White balance	automatic>manual
Signal-to-noise ratio	36dB
Video:	
Resolution	1920x1080 (16:9),1280x960 (4:3),1280x720 (16:9),640x480 (4:3),320x240 (4:3)
Image resolution max.	1920x1080
Image display	16:9,4:3,VerticalView 90°
Stream types	Triple-Stream(Main/Sub/Mobile)
Image Transmission Rate	60 fps
Video compression	H.264,H.265,H.264+ (Smart Stream),H.265+ (Smart Stream),M-JPEG
Lens:	
Lens Type	Varifocal (motorized)
Zoom Factor	4x
Focal Length	2,8 - 12 mm
Digital Zoom	yes
MOD (Minimum Object Distance)	1,2 m
Iris Control	DC
Vertical Angle of View	52 - 18°
Horizontal Angle of View	101 - 33°
DORI:	
Detect (25px/m)	45,6 - 179 m
Observe (62 px/m)	29,5 - 71,9 m
Recognize (125 px/m)	14,1 - 35,5 m
Identify (250 px/m)	6,6 - 17,5 m
Functions:	
Multicast compliant	yes
Motion Detector	yes
Analysis functions	intrusion,Line detection,Object classification (person / vehicle),Object left,removed,trip wire detection with counting and direction detection,Crowd detection,Queue management,Heatmapping,audio detection,face recognition,license plate recognition,License plate detection,Face detection
Alarm processing	recording internal storage,E-Mail,HTTP,FTP,TCP,UDP,alarm out
Audio support	yes
Audio	1/1 Line input and output,2 Way Audio
Password protection	administrator & users

INB-52M2812M0A

Continuation of the specifications

Internal storage	microSDHC card,microSDXC card
Menu languages	English,German,French,Italian,Portugese,Spanish,Turkish,Russian,Japanese
Privacy zone masking	Areas-ON/OFF switchable
Remote configuration	web browser
Web browser	MS Internet Explorer 10/11,Safari V12.1 above,Firefox V.52 above,Google Chrome V.57 above,Edge V.79 above
Mirror function	flip,mirror
Digital Noise Reduction	yes
Digital noise reduction (DNR)	3D-DNR
Network:	
Network protocols	TCP/IP,HTTP,DHCP,DNS,DDNS,RTP,RTSP,SMTP,NTP,UPnP,SNMP,HTTPS,FTP
Interfaces / Inputs/ Outputs:	
Video outputs	no
External connectors	RJ-45,micro SD card slot,alarm in/output,audio input/output,12VDC input (DC plug),connection cable approx.30cm
Ethernet interface	10Base-T,100Base-TX
Alarm inputs	1
Alarm outputs	1
Serial interfaces	Ethernet
General:	
Dimensions (HxWxD)	83,88x87,4x242mm
Weight	680g
Illumination	infrared
Illumination	4x High Power LEDs 850nm
Illumination range	approx. 45m
Color (housing)	RAL9003,Pantone P 179-1
Housing	outdoor
Hosuing material	aluminium
Heater	no
Integrated wall mount	yes
Camera Type	License plate recognition,Retail Intelligence,People Count,Face recognition
Power consumption	7W
Blower	no
Mounting	wall mount,ceiling mount
ONVIF	ONVIF Profile G,ONVIF Profile S,ONVIF Profile T
Power over Ethernet	IEEE 802.3af
Protection rating	IP67
SDK	upon request

INB-52M2812M0A

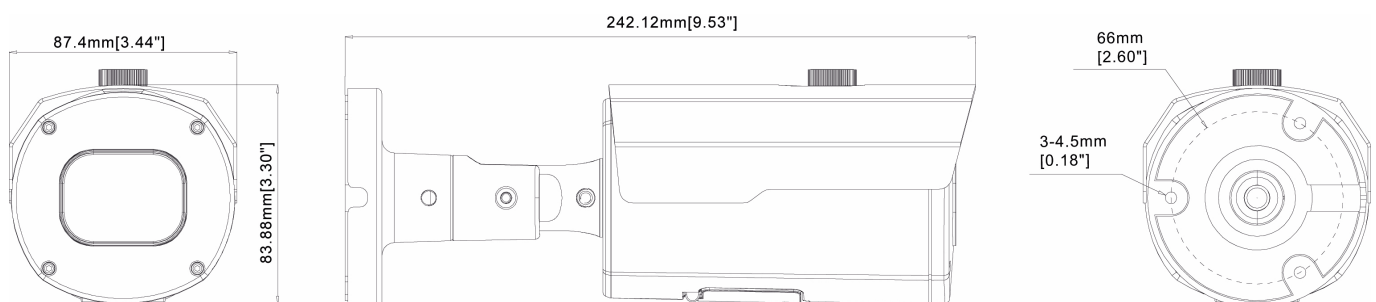
Continuation of the specifications

Sunshield	yes
Supply voltage	12VDC,PoE
Operating temperature	-35°C ~ +55°C,@ Humidity 90% or less (non-condensing)
Text display	ON/OFF switchable
Vandal proof	no
Parts supplied:	
Parts supplied	manual,bag of screws
Remarks	NDAA compliance under Section 889, Part A.,The Face Detection and License Plate Recognition functions are only available with an inserted SD card or in conjunction with a recorder from the eneo IN series.

Optional Accessory

SKU	Name	Description
233754	AK-20	Camera connection box for Wall and ceiling mounting, IN Series Bullet Cameras
233775	AK-21	Camera connection box for Wall and ceiling mounting, IN Series Bullet Cameras
235339	AK-24	Dual camera connection box for Bullet or Fix Dome IN-Series cameras
218218	eneo Site Manager	Management Software for eneo IP products
236198	IPC Installation Tool	Supports adjustments for cameras with AI features for IN-series
235257	PM-21	Pole mounting adapter for camera connection box AK-20 and AK-21
235340	WB-24	Wall bracket for Dual camera connection box AK-24

Technical Drawing



Maße / Dimensions: mm



eneo is a registered trademark of
VIDEOR E. Hartig GmbH
Carl-Zeiss-Straße 8
63322 Rödermark, Deutschland

Phone: +49 6074 - 888 - 300
Fax: +49 6074 - 888 - 100
E-Mail: info@eneo-security.com
Web: www.eneo-security.com

Stay informed and subscribe
to the eneo newsletter

