



# INB-75M0550M0A

SKU: 236661



Netzwerk Kamera Bullet, Network Camera Bullet,  
5,0-50mm, IR, 12VDC, PoE, IP67

## Main Features

1/2,7" Omnivision CMOS-Sensor,  
 Maximale Auflösung 2592x1944 Pixel, 30fps  
 AI Analysefunktionen inklusive Objektklassifizierung  
 WDR 120dB, 3D-DNR Rauschunterdrückung  
 Motorisiertes Varifokal Objektiv 5,0-50mm  
 Smart Codec H.265/H.264, Multi-Streaming

Browserunabhängig (Edge, Safari, Firefox, Chrome)  
 Unterstützt ONVIF Profile S/T/G  
 Lokale Speicherung mittels Micro SD Karte  
 Unterstützt Audio und externen Alarm Ein- und Ausgang  
 Spannungsversorgung 12VDC oder PoE IEEE 802.3af  
 IR-LED Beleuchtung, IP67

## Specifications

<b>General:</b>	
Illumination	8x High Power LED 850nm,infrared
Integrated wall mount	yes
SDK	upon request
Sunshield	yes
Supply voltage	12VDC,PoE
Text display	ON/OFF switchable
<b>DORI:</b>	
Observe (62 px/m)	41 - 385 m
Recognize (125 px/m)	20,1 - 193,2 m
Identify (250 px/m)	9,6 - 97 m

# INB-75M0550M0A

## Continuation of the specifications

Detect (25px/m)	102,4 - 964 m
Functions:	
Alarm processing	recording internal storage,E-Mail,HTTP,FTP,TCP,UDP,alarm out,Cloud Upload
Motion detector	yes
Digital noise reduction (DNR)	3D-DNR,yes
Menu languages	English,German,French,Italian,Portugese,Spanish,Turkish,Russian,Japanese
Mirror function	V flip,H-flip,H/V flip
Multicast compliant	yes
Password protection	administrator & users
Privacy zone masking	Areas-ON/OFF switchable
Web browser	MS Internet Explorer 10/11,Safari V12.1 above,Firefox V.52 above,Google Chrome V.57 above,Edge V.79 above
Camera:	
Imager	OmniVision,OS05A20,CMOS
Automatic electronic shutter (ESC)	1/5 ~ 1/20.000sec.
Flickerless function	yes
Backlight compensation	BLC,HLC
Low speed shutter	yes
Manual electronic shutter (MES)	1/5 ~ 1/20.000sec.
Signal-to-noise ratio	39dB
Day&Night mode	Automatic,Day,Night,Image,Time
White balance	Automatic,Manual
Wide Dynamic Range (WDR)	WDR 120dB, WDR 120dB
Parts supplied:	
Parts supplied	manual,bag of screws
Network:	
Network protocols	TCP/IP,HTTP,DHCP,DNS,DDNS,RTP,RTSP,SMTP,NTP,UPnP,SNMP,HTTPS,FTP
Lens:	
Iris control	DC
Interfaces / Inputs/ Outputs:	
External connectors	RJ-45,Alarm in/output,Audio input/output,12VDC input (DC plug),connection cable approx.30cm,micro SD card slot 256 GB
Video:	
Resolution	2592x1944 (4:3),2592x1520 (16:9),2304x1296 (16:9),1920x1080 (16:9),1280x960 (4:3),640x480 (4:3),320x240 (4:3)
Image display	16:9,4:3,VerticalView
Stream types	Triple-Stream(Main/Sub/Mobile)
Other	

# INB-75M0550M0A

## Continuation of the specifications

Dimensions (HxWxD)	89.95x96.70x301.11mm
eneo_test	4260229840504
Remarks	NDAA compliance under Section 889, Part A.,The face detection and license plate recognition functions are only available with an inserted SD card or in conjunction with a recorder from the eneo IN series.
Series	eneo IN-Serie
Camera Type	Gesichtserkennung, Kennzeichenerkennung, Personenzählung, Retail Intelligence
Resolution Standard	5 Megapixel
System	True Day&Night
Sensor size	1/2,7"
Aufnahmesensor	CMOS
Video compression	H.264, H.264+, H.265, H.265+, M-JPEG
Image resolution max.	2592x1944
Image Transmission Rate	30 fps
Day&Night switch	Schaltbarer IR-Filter (ICR)
Sensitivity	0,003 Lux
Lichtempfindlichkeit	bei F1,6
Low Speed Shutter	ja
Digitale Rauschunterdrückung	ja
Gegenlichtkompensation	BLC, HLC
Bewegungsmelder	ja
Lens Type	Varifokal (motorisiert)
Objektiv Typ	Varifokal (motorisiert)
Focal Length	5 - 50 mm
Blendensteuerung	DC
Zoom Factor	10x
Digital Zoom	ja
Horizontal Angle of View	45 - 7°
Vertical Angle of View	33 - 5°
Beleuchtung	Infrarot
Housing	Außen
Color (housing)	Pantone P 179-1 , RAL9003
Housing material	Aluminium
Heater	nein
Blower	nein
Videoausgänge	nein
Alarm inputs	1
Alarm outputs	1
Audio support	ja
Ethernet interface	100Base-TX, 10Base-T
Serial interfaces	Ethernet

# INB-75M0550M0A

## Continuation of the specifications

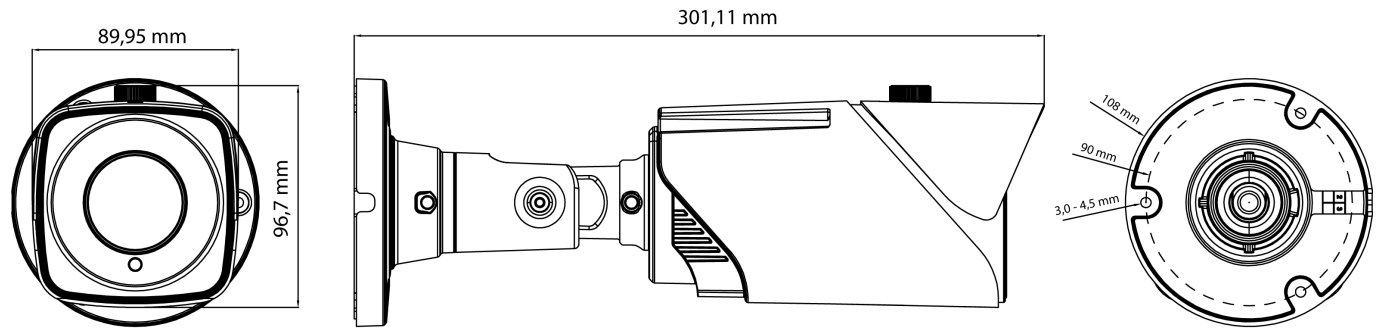
Internal storage	256GB, microSDHC-Karte, microSDXC-Karte
Analysis functions	Anwesenheit (FA), Durchgangszählung (CC), Eindringen (PID), Gesichtsattribute (AD), Gesichtserfassung (FD), Gesichtserkennung (FR), Heat Map (HM), Kennteichenerfassung (LPD), Kennzeichenerkennung (LPR), Linienüberquerung (LCD), Menschenmengen (CD), Objekt-Klassifikation Mensch / Fahrzeug (PD&VD), Seltene Geräusche (RSD), Warteschlangen (QD), Zurückgelassene und entfernte Objekte (SOD)
Mounting	Deckenmontage, Wandmontage
Stromversorgung	12VDC, PoE
Power consumption	12W
Power over Ethernet	IEEE 802.3af
Vandal proof	nein
Operating temperature	-35°C ~ +60°C, @ Luftfeuchtigkeit 90% oder weniger (nicht kondensierend)
ONVIF	ONVIF Profile G, ONVIF Profile S, ONVIF Profile T
Protection rating	IP67
Camera type	Bullet
Audio	1/1 Line Ein- und Ausgang, 2 Wege Audio
Remote configuration	Browser
Illumination range	ca. 80m
Hersteller-Nummer	236661
EAN/GTIN	4260229840504

## Optional Accessory

SKU	Name	Description
233754	AK-20	Camera connection box for Wall and ceiling mounting, IN Series Bullet Cameras
233775	AK-21	Camera connection box for Wall and ceiling mounting, IN Series Bullet Cameras
235339	AK-24	Dual camera connection box for Bullet or Fix Dome IN-Series cameras
234990	eneo INsight mobile	Mobile App for recorder IN- and MN-series
218218	eneo Site Manager	Management Software for eneo IP products
236198	IPC Installation Tool	Supports adjustments for cameras with AI features for IN-series
235257	PM-21	Pole mounting adapter for camera connection box AK-20 and AK-21
235340	WB-24	Wall bracket for Dual camera connection box AK-24

# INB-75M0550M0A

## Technical Drawing



Maße / Dimensions: mm



eneo is a registered trademark of  
VIDEOR E. Hartig GmbH  
Carl-Zeiss-Straße 8

63322 Rödermark, Deutschland

Phone: +49 6074 - 888 - 300  
Fax: +49 6074 - 888 - 100  
E-Mail: [info@eneo-security.com](mailto:info@eneo-security.com)  
Web: [www.eneo-security.com](http://www.eneo-security.com)

Stay informed and subscribe  
to the eneo newsletter

