



AKM-1

SKU: 222024



Connection box with bracket outdoor, Fixed and PTZ Dome cameras, IP66

Main Features

- | | |
|--|------------------------------|
| Wall Bracket with connection box for PTZ and Fixed Domes | Concealed cable management |
| Easy installation and commissioning | Rugged aluminum construction |
| Movable mounting bracket for dome camera housing | Color: white, IP66 |
| Dome mounting adapter included | |

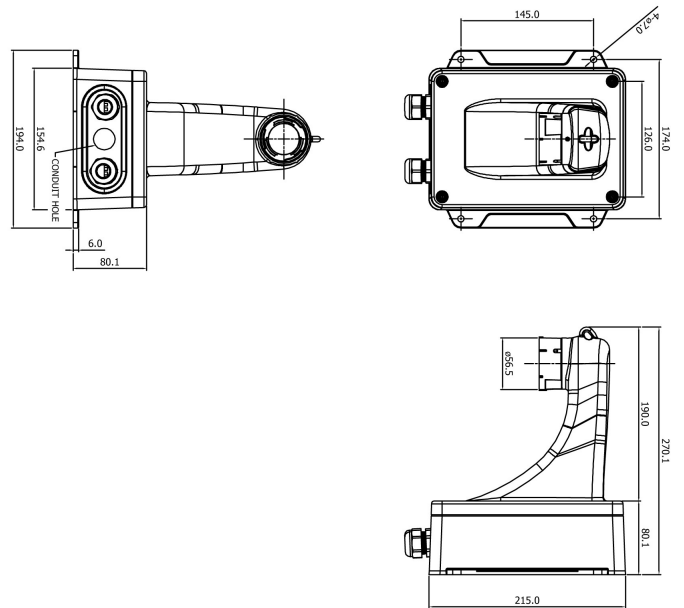
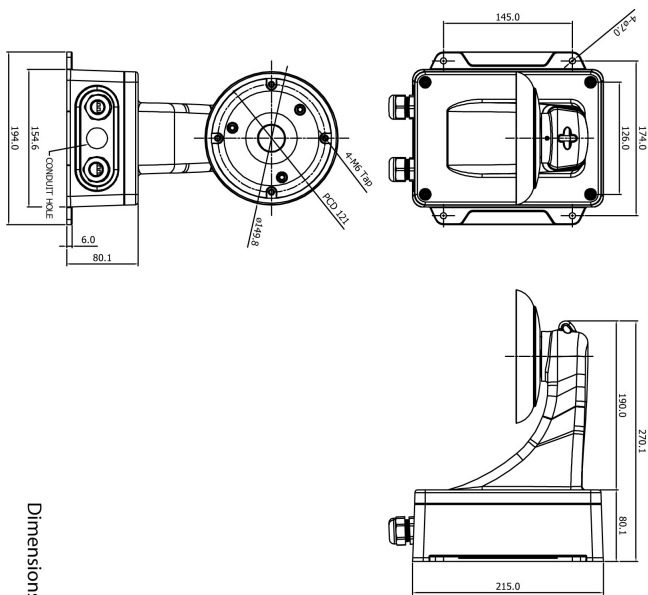
Specifications

AKM-1

Technical Drawing

Fixed Dome

PTZ Dome



Dimensions / Maße: mm



eneo is a registered trademark of
 VIDEOR E. Hartig GmbH
 Carl-Zeiss-Straße 8
 63322 Rödermark, Deutschland

Phone: +49 6074 - 888 - 300
 Fax: +49 6074 - 888 - 100
 E-Mail: info@eneo-security.com
 Web: www.eneo-security.com

Stay informed and subscribe
 to the eneo newsletter

