

# DOME-CH7

SKU: 238984



Ceiling mount for PTZ Dome INP-72A0018MIA, INP-75A0033MIA, Length approx. 296mm

## Main Features

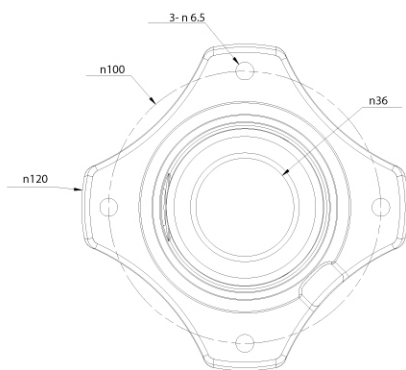
## Specifications

Other	
Dimensions (HxWxD)	see drawing
Parts supplied	mounting accessories, 2x Joint for 18x and 33x PTZ Dome
Series	eneo IN-Series
Housing	aluminium
Color	Pantone P 179-1, RAL9003
Protection rating	IP64
Weight	578g
Manufacturer order number	238984

# DOME-CH7

## Technical Drawing

Maße / Dimensions: mm



eneo is a registered trademark of  
VIDEOR E. Hartig GmbH  
Carl-Zeiss-Straße 8

63322 Rödermark, Deutschland

Phone: +49 6074 - 888 - 300  
Fax: +49 6074 - 888 - 100  
E-Mail: [info@eneo-security.com](mailto:info@eneo-security.com)  
Web: [www.eneo-security.com](http://www.eneo-security.com)

Stay informed and subscribe  
to the eneo newsletter

